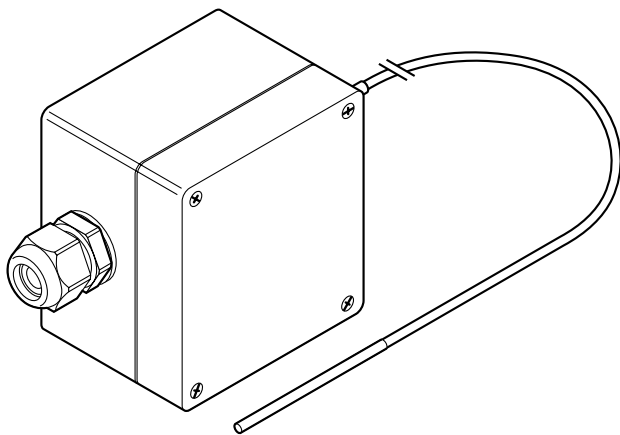




SANTO MONI-PT100-EXE

TEMPERATURE SENSOR FOR HAZARDOUS AREAS



3 wire Pt 100 sensor connected to a black glass fiber reinforced polyester junction box with 4 front entry spring-type terminals.

M20 EEx e cable gland preinstalled.

AREA OF USE

Hazardous environment Zone I

APPROVALS

ERC For Russia, Kazakhstan, Belarus.
For other countries contact your local Santo representative.

SENSOR

Type	Pt 100 (3 wire) DIN IEC 751, Class B.
Material	extension cable and tip both stainless steel (MI)
Temperature measuring range	-100°C to +500°C
Maximum exposure temp. tip	+585°C
Length	2 m
Diameter	ca 3 mm
Minimum bending radius	extension cable: 20 mm, the measuring tip should not be bent

ENCLOSURE

Material	Glass fiber reinforced polyester (black)
Ingress protection	IP66
Dimensions	With = 80 mm Height = 75 mm Depth = 55 mm
Cable entry	M20 (EEx e) suitable for cable diameters ranging from 10 mm to 14 mm
Operating temperature	-50°C to +60°C
Sealing gasket material	tongue and groove system with silicone seal
Cover screws	Stainless steel M4 threaded
Mounting	For pipe mount use MF-SB-26 wall mount surface mount via moulded holes at 68 x 45 mm

INSTALLATION AND CONNECTION

Terminals	4 front entry spring-type terminals
Terminal sizing	suitable for cables from 0.5 mm ² to 2.5 mm ²

ORDERING DETAILS

Part Description	MONI-PT100-EXE
PN (Weight)	2000-U51 (0.44 kg)