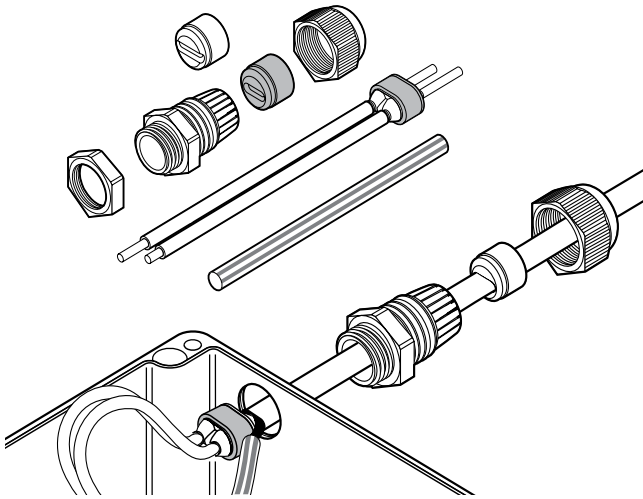




# SANTO U25-100

## COLD APPLIED CONNECTION KIT



This connection kit is designed for terminating all Santo UFA, UFB, UFC, UFO and ACC industrial parallel heating cables to a junction box, whilst maintaining electrical insulation of the heating cable conductors and core. It is approved for use in hazardous areas.

The core sealing boot does not require a heat gun or torch for the installation (no hot work permit necessary). The non-curing sealant (silicone free) allows easy installation and facilitates maintenance purposes.

Two grommets supplied in this kit enable the gland to maintain optimum sealing under various ambient conditions. An additional locknut is provided for unthreaded entries.

### APPLICATION

Connection kit for UFA, UFB, UFC, UFO and ACC parallel heating cables.

### KIT CONTENTS

1 gland, 2 grommets, 1 locknut, 1 core sealer, 1 green/yellow tube,  
1 installation instruction (multilingual)

### APPROVALS

**ERC** (Russia, Kazakhstan, Belarus)  
For other countries contact your local Santo representative.

### PRODUCT SPECIFICATION

Area classification	Hazardous, Zone 1, Zone 2 (Gas), Zone 21, Zone 22 (Dust) Ordinary
Type	Cold applied
Thread size	M25 x 1.5
Min. ambient temperature	-50°C
Max. exposure temperature (gland)	110°C

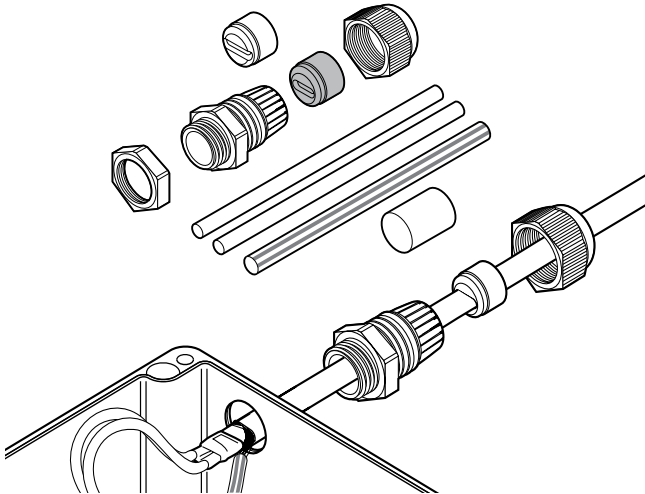
### ORDERING DETAILS

Part description	U25-100
PN (Weight)	2000-M26 (0.07 kg)



# SANTO U25-21

## HEAT-SHRINK CONNECTION KIT



This connection kit is designed for terminating all Santo UFA, UFB, UFC, UFO and ACC industrial parallel heating cables to a junction box, whilst maintaining electrical insulation of the heating cable conductors and core.

The sealing of the heating cable core is provided by Santo heat-shrinkable sleeves. Two grommets supplied in this kit enable the gland to maintain optimum sealing under various ambient conditions.

An additional locknut is provided for unthreaded entries.

### APPLICATION

Connection kit for UFA, UFB, UFC, UFO and ACC parallel heating cables

### KIT CONTENTS

1 gland,  
2 grommets,  
1 locknut,  
1 green/yellow tube, heat-shrinkable sleeves for core sealing,  
1 installation instruction (multilingual)

### APPROVALS

The kit is certified as part of the system approval of the various heating cables.

UFA	UFB	UFC	UFO	ACC

**ERC** (Russia, Kazakhstan, Belarus)  
For other countries contact your local Santo representative.

### PRODUCT SPECIFICATION

Area classification	Hazardous, Zone 1, Zone 2 (Gas), Zone 21, Zone 22 (Dust) Ordinary
Type	Heat-shrinkable
Thread size	M25 x 1.5
Min. ambient temperature	-55°C
Max. exposure temperature (gland)	110°C
IP ingress protection rating	IP66

### ORDERING DETAILS

Part description	U25-21
PN (Weight)	2000-M27 (0.06 kg)